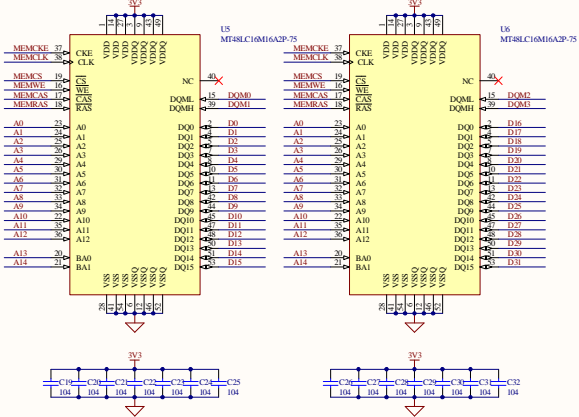
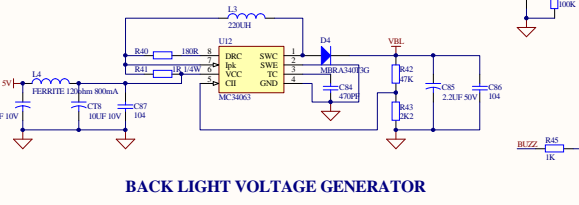
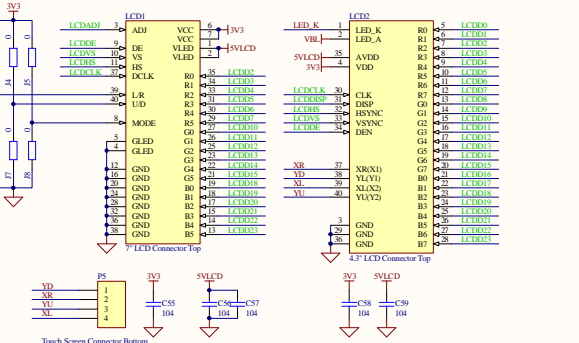


SDRAM



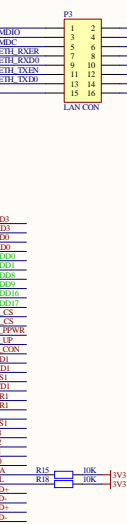
TFT LCD



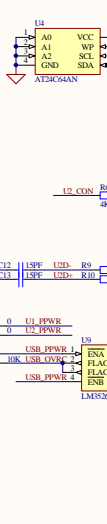
TOUCH SCREEN CONTROLLER



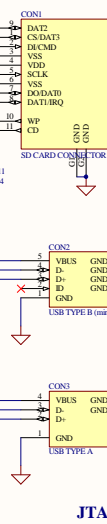
LAN MODULE



EEPROM

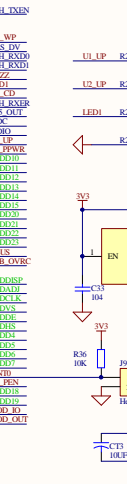


SD CARD

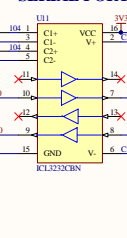


Pin	Processor	Module
P0(0)	RED1	TXD0
P1(1)	TD1	RXD0
P2(2)	TD2	RXD0
P3(3)	TD3	RXD0
P4(4)	TD4	RXD0
P5(5)	TD5	RXD0
P6(6)	TD6	RXD0
P7(7)	TD7	RXD0
P8(8)	TD8	RXD0
P9(9)	TD9	RXD0
P10(10)	TD10	RXD0
P11(11)	TD11	RXD0
P12(12)	TD12	RXD0
P13(13)	TD13	RXD0
P14(14)	TD14	RXD0
P15(15)	TD15	RXD0
P16(16)	TD16	RXD0
P17(17)	TD17	RXD0
P18(18)	TD18	RXD0
P19(19)	TD19	RXD0
P20(20)	TD20	RXD0
P21(21)	TD21	RXD0
P22(22)	TD22	RXD0
P23(23)	TD23	RXD0
P24(24)	TD24	RXD0
P25(25)	TD25	RXD0
P26(26)	TD26	RXD0
P27(27)	TD27	RXD0
P28(28)	TD28	RXD0
P29(29)	TD29	RXD0
P30(30)	TD30	RXD0
P31(31)	TD31	RXD0
P32(32)	TD32	RXD0
P33(33)	TD33	RXD0
P34(34)	TD34	RXD0
P35(35)	TD35	RXD0
P36(36)	TD36	RXD0
P37(37)	TD37	RXD0
P38(38)	TD38	RXD0
P39(39)	TD39	RXD0
P40(40)	TD40	RXD0
P41(41)	TD41	RXD0
P42(42)	TD42	RXD0
P43(43)	TD43	RXD0
P44(44)	TD44	RXD0
P45(45)	TD45	RXD0
P46(46)	TD46	RXD0
P47(47)	TD47	RXD0
P48(48)	TD48	RXD0
P49(49)	TD49	RXD0
P50(50)	TD50	RXD0
P51(51)	TD51	RXD0
P52(52)	TD52	RXD0
P53(53)	TD53	RXD0
P54(54)	TD54	RXD0
P55(55)	TD55	RXD0
P56(56)	TD56	RXD0
P57(57)	TD57	RXD0
P58(58)	TD58	RXD0
P59(59)	TD59	RXD0
P60(60)	TD60	RXD0
P61(61)	TD61	RXD0
P62(62)	TD62	RXD0
P63(63)	TD63	RXD0
P64(64)	TD64	RXD0
P65(65)	TD65	RXD0
P66(66)	TD66	RXD0
P67(67)	TD67	RXD0
P68(68)	TD68	RXD0
P69(69)	TD69	RXD0
P70(70)	TD70	RXD0
P71(71)	TD71	RXD0
P72(72)	TD72	RXD0
P73(73)	TD73	RXD0
P74(74)	TD74	RXD0
P75(75)	TD75	RXD0
P76(76)	TD76	RXD0
P77(77)	TD77	RXD0
P78(78)	TD78	RXD0
P79(79)	TD79	RXD0
P80(80)	TD80	RXD0
P81(81)	TD81	RXD0
P82(82)	TD82	RXD0
P83(83)	TD83	RXD0
P84(84)	TD84	RXD0
P85(85)	TD85	RXD0
P86(86)	TD86	RXD0
P87(87)	TD87	RXD0
P88(88)	TD88	RXD0
P89(89)	TD89	RXD0
P90(90)	TD90	RXD0
P91(91)	TD91	RXD0
P92(92)	TD92	RXD0
P93(93)	TD93	RXD0
P94(94)	TD94	RXD0
P95(95)	TD95	RXD0
P96(96)	TD96	RXD0
P97(97)	TD97	RXD0
P98(98)	TD98	RXD0
P99(99)	TD99	RXD0
P100(100)	TD100	RXD0

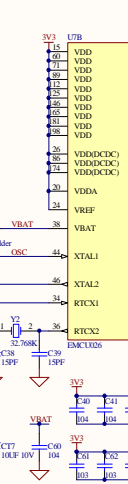
JTAG



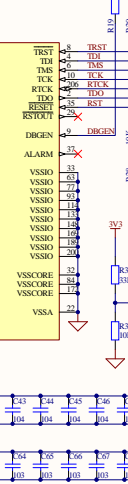
SERIAL PORTS



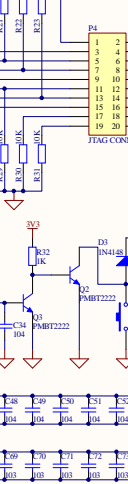
GPIO



EXT MODULE



SD CARD



JTAG

