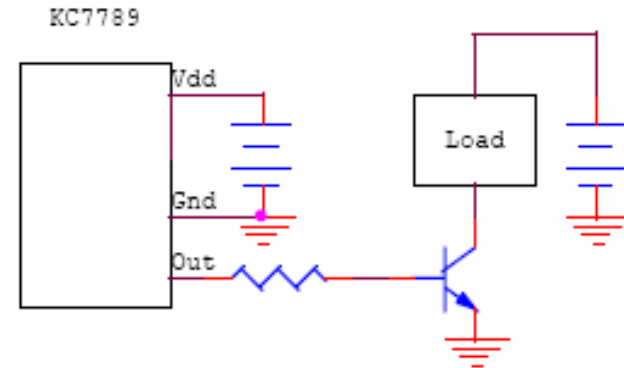
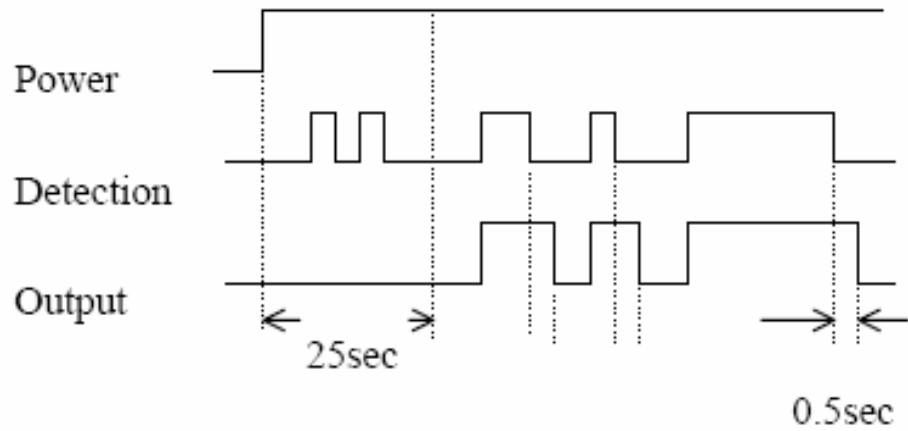


Timing Chart

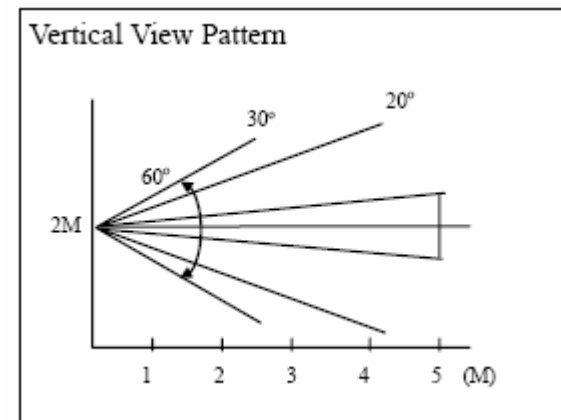


Wiring Diagram

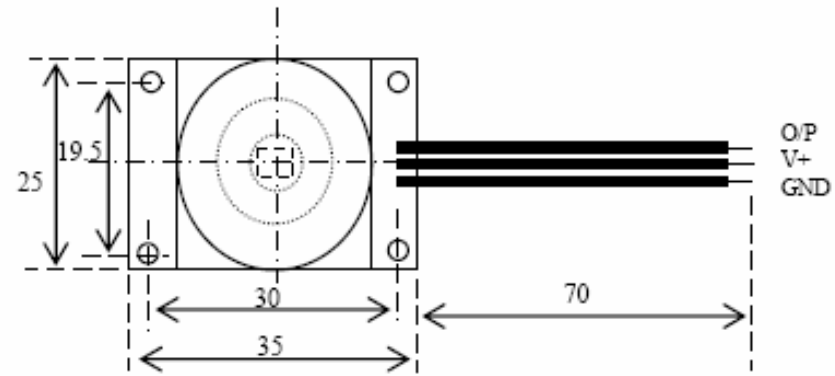
Specification

	Min	Typ	Max	Unit
Operation Voltage	4.7	5	12	V
Standby Current (no load)		300		μ A
Output Pulse Width	0.5			Sec
Output High Voltage		5		V
Detection Range		5		M
Operation Temperature	-20	25	50	$^{\circ}$ C
Humidity Range			95	%

Note: 1. All other features and specification, please refer to KC778B
 2. Minimum output pulse width can be customer specified.



Mechanical Dimension



Front View

