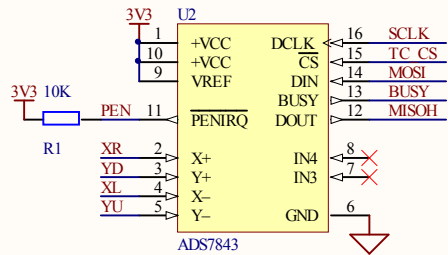
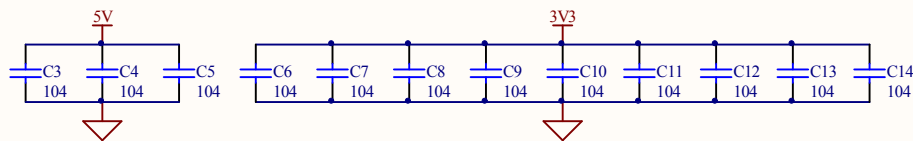
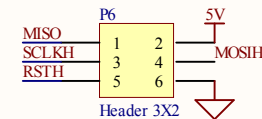
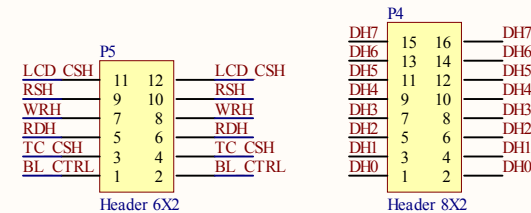
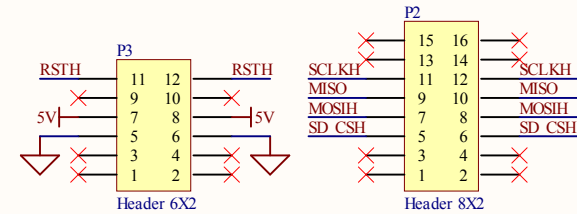
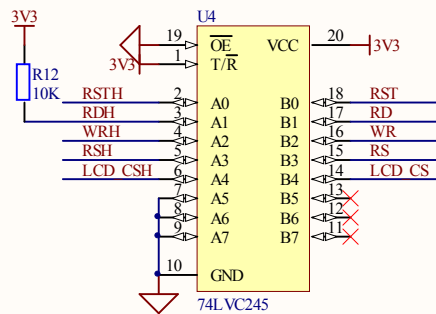
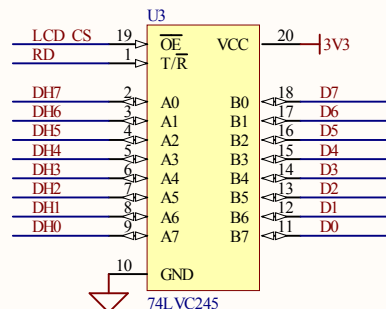
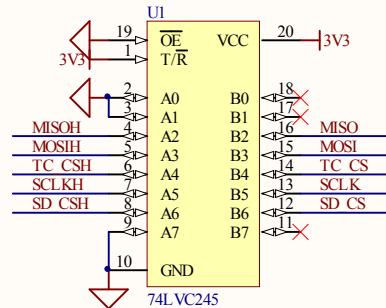
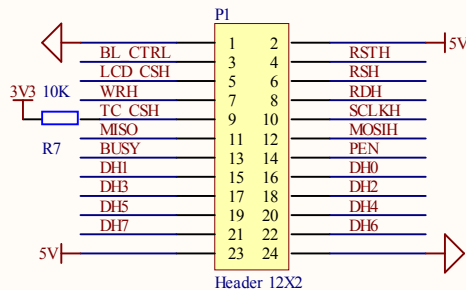
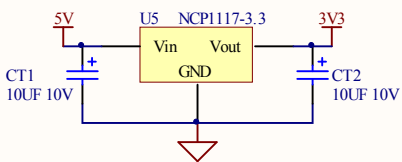
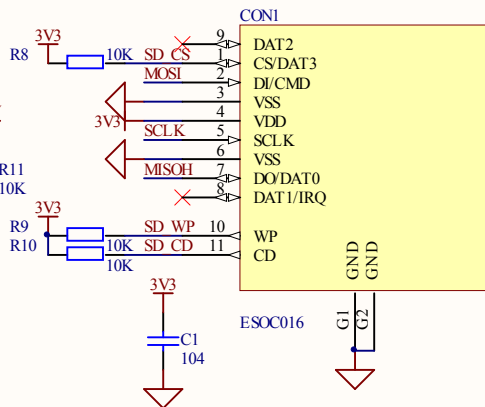


2.8" LCD Touch Screen



### SD CARD



Title		
Size	Number	Revision
A4		
Date:	26/9/2011	Sheet of
File:	D:\S\O'R&D 4 A\U\O\O...TFT28SDShield Board Schematic Doc	